

Engine 3TNV70

Engine power 11,2 kW - 15,3 HP

Operating Weight 1.730 - 1.810 kg

ES 18 ZT

Concrete solutions. Always



TECHNICALS SPECIFICATIONS

| | | |
|---|------|---|
| Operating weight with canopy (with rubber tracks) | kg | 1.730 |
| Operating weight with cabin (rubber tracks) | kg | 1.810 |
| Travelling speed | km/h | 1 ^a : 0 ÷ 2,2 / 2 ^a : 0 ÷ 4,2 |
| Slew speed | rpm | 12 |

ENGINE

| | | |
|---------------------|---------------|-------------|
| Type | YANMAR 3TNV70 | |
| Power (2.100 rpm) | kW - HP | 11,2 - 15,2 |
| Displacement | cc | 854 |
| Number of cylinders | n° | 3 |
| Cooling | water | |
| Consumption | lt/h | 2,4 |
| Alternator | V (A) | 12 (35) |
| Battery | V (Ah) | 12 (65) |

HYDRAULIC SYSTEM

| | | |
|-----------------------------------|---------------|----------------|
| Pump type | variable flow | |
| Pump displacement | cc | 8+8+6,5 |
| Pump capacity | lt/min | 17,6+17,6+14,3 |
| Max. circuit calibration pressure | bar | 210 |
| Auxiliary system: Max capacity | lt/min | 36 |
| Max pressure | bar | 210 |

PERFORMANCES

| | | |
|--|--------------------|---------------|
| Max digging depth standard arm (optional arm) | mm | 2.300 (2.500) |
| Max dumping height with canopy standard arm (optional arm) | mm | 2.700 (2.850) |
| Max dumping height with cab standard arm (optional arm) | mm | 2.530 (2.635) |
| Bucket breaking force (standard arm) ISO 6015 | daN | 1.550 |
| Arm breaking force (standard arm) ISO 6015 | daN | 1.050 |
| Traction force | daN | 1.500 |
| Ground bearing pressure with rubber tracks and canopy (with cabin) | kg/cm ² | 0,32 (0,33) |
| Max slope | 60% - 30° | |

DIMENSIONS

| | | |
|-----------------------------------|----|---------------|
| Maximum width | mm | 990 - 1.300 |
| Total height | mm | 2.357 |
| Rear rotation radius | mm | 650 |
| Digging arm length std (optional) | mm | 1.150 (1.350) |
| Tracks width | mm | 230 |
| Rollers number (for each side) | n° | 3 |

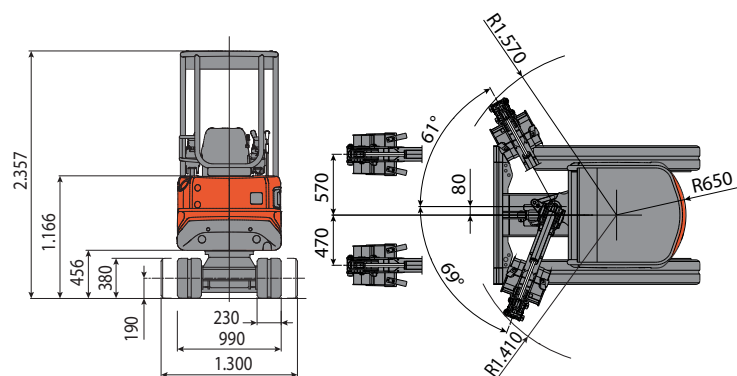
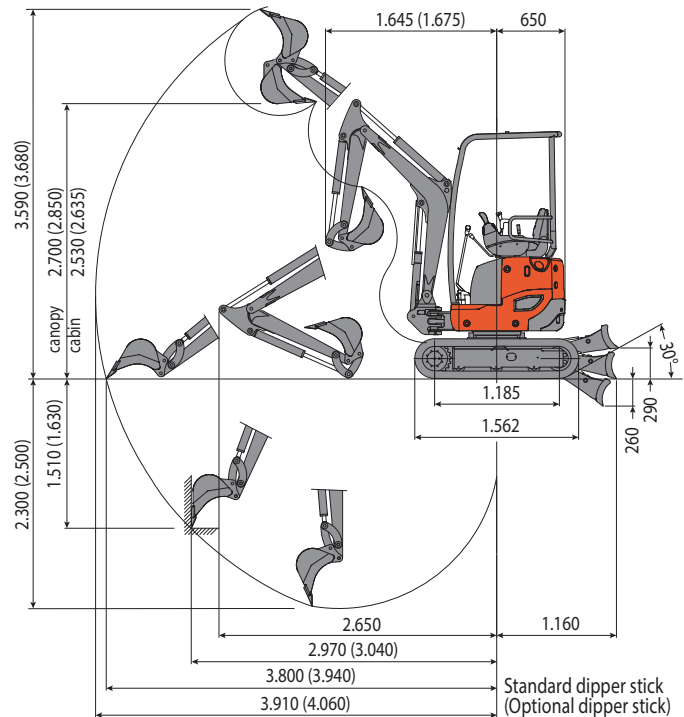
FILLINGS

| | | |
|----------------------------|----|-----|
| Fuel tank | lt | 18 |
| Hydraulic oil tank | lt | 20 |
| Hydraulic circuit capacity | lt | 30 |
| Cooling system capacity | lt | 4 |
| Engine oil | lt | 2,8 |

CONTROLS

| | |
|---|-------------------|
| Boom, dipper stick, bucket and turret swing | 2 pilot joysticks |
| Track movements (included counter rotation) | 2 pilot levers |
| Dozer blade | 1 lever |
| Auxiliary circuit (simple or double effect) | left pedal |
| Boom swing | right pedal |

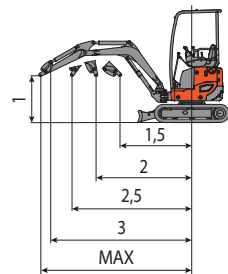
ES 18 ZT



LIFTING CAPACITY

Opening arm from the rotation's center (m)
Lifting capacity (kg) at 1.0 m height

| | 1,5 | 2 | 2,5 | 3 | MAX |
|---------------------------------|-----|-----|-----|-----|-----|
| Frontal and lowered dozer blade | 660 | 440 | 360 | 310 | 250 |
| Frontal and lifted dozer blade | 610 | 410 | 280 | 205 | 180 |
| Lateral, open undercarriage | 610 | 410 | 235 | 195 | 160 |



The lifting capacity is based on the ISO 10567 and it does not exceed more than the 75% of static tipping load or more than the 87% of the hydraulic lifting capacity of the machine.



EUROCOMACH®

MADE IN ITALY

Sampierana S.p.a.

47021 S.Piero in Bagno (FO)
via Leonardo da Vinci, 40

Tel +39 0543.904211

Fax +39 0543.918520

www.eurocomach.com

