



EUROCOMACH®

MINIDIGGER

ES

35 ZT



KUBOTA engine
Engine power
Operating weight

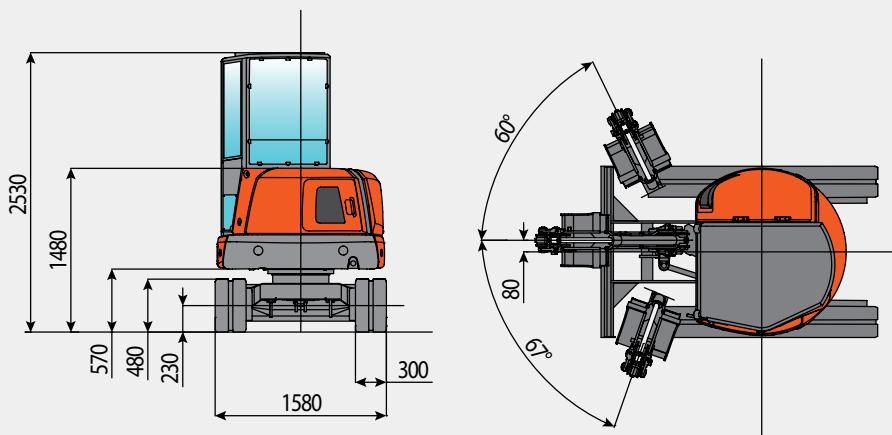
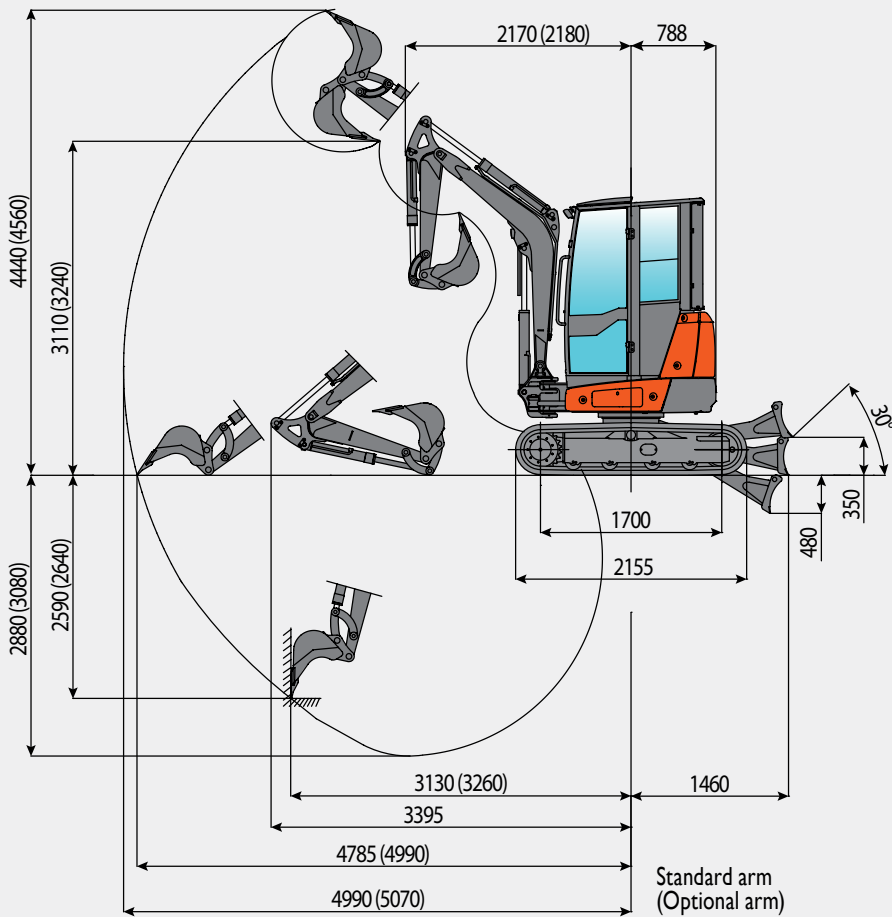
DI503-M
24,9 kW / 33,4 HP
kg 3350-3500



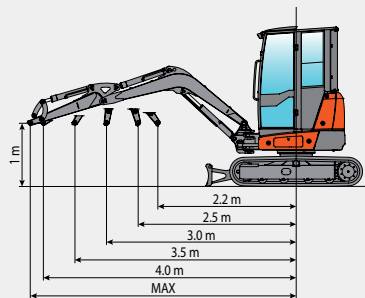
EUROCOMACH®

MINIDIGGER

ES 35 ZT



ES 35 ZT - LIFTING CAPACITY						
Opening arm from the rotation's center						
Lifting capacity at 1,0 m height						
	2,2	2,5	3	3,5	4	max
DOZER FRONT END	1201	866	679	592	531	522
IDLER CENTER	990	718	563	469	383	360
CRAWLER CENTER	885	694	525	424	338	323



The lifting capacity is based on the ISO 10567 and it does not exceed more than the 75% of static tipping load or more than the 87% of the hydraulic lifting capacity of the machine.

TECHNICAL SPECIFICATIONS

Weight with canopy	kg	3.350
Weight with cabin	kg	3.500
Travelling speed Lo - Hi	km/h	2,5 - 4,6
Slew speed	rpm	9

ENGINE

Type	KUBOTA DI503-M	
Max Power	kW - HP	24,9 - 33,4
Displacement	cc	1499
Number of cylinders	n°	3
Cooling	acqua	
Consumption	Lt/h	4,2
Alternator	V (A)	12 (40)
Battery	V (Ah)	12 (80)

HYDRAULIC SYSTEM

Type	OPEN CENTER	
Pump type	2 VARIABLE PISTON PUMPS + 1 GEAR PILOT PUMP	
Pump displacement	cc	2 x 15 + 14
Pump capacity	lt./min	2 x 36 + 33
Auxiliary system	lt./min	68
Circuit calibration pressure	bar	230

PERFORMANCES

Bucket breaking force (standard arm) ISO 6015	kgf	2400
Arm breaking force (standard arm) ISO 6015	kgf	1950
Traction force	kgf	3400
Ground pressure with canopy (with cabin)	kg/cm ²	0,31 (0,32)
Max slope	60% - 30°	

DIMENSIONS

Total width	mm	1580
Max dumping height standard arm (optional arm)	mm	3114 (3238)
Total height	mm	2529
Rear rotation radius	mm	788
Max digging depth standard arm (optional arm)	mm	2873 (2960)
Digging arm length std (optional)	mm	1220 (1400)
Tracks width	mm	300
Rollers number (for each side)	n°	4 lower + 1 upper

FILLINGS

Fuel tank	lt	30
Hydraulic oil tank	lt	30
Hydraulic circuit capacity	lt	54
Cooling system capacity	lt	7,5
Engine oil	lt	7

CONTROLS

Bucket, boom, swing, slew	2 joisticks
Travel and steering	2 pilot levers
Dozer blade	1 pilot lever
Auxiliary hydraulics system	Electroproportional switch on right joystick
Boom swing	Electroproportional switch on left joystick